

INSD04KIRF

4K ULTRA-HD H265 Fixed Dome Camera

- 8MP, 1/2.7" CMOS image sensor, low illuminance
- WDR (120dB), Day/Night(ICR), 3DNR, AWB, AGC, BLC
- H.265 codec, high compression rate, ultra-low bit rate
- Built-in IR LED, max IR distance: 30 m
- Intelligent detection: Intrusion, tripwire

Unify your Security Solution

Our camera offers TRUE WDR technology produce a high-quality picture across a wide range of lighting levels.

Smart H.265+ & H.264+

STORM smart encoding technology can provide high-quality video with higher efficiency and can also reduce the cost of storage space and transmission adopting an advanced algorithm of auto stream control.

On-board Analytics

This camera responds accurately to specific events in a given area. Our algorithm enables Tripwire violations, intrusion detection, abandoned/missing objects and much more. Facilitate your viewing experience using on the edge analytics – one product, multiple features.



*Design and specifications are subjects to change without notice.



INSD04KIRF

4K ULTRA-HD H265 Fixed Dome Camera

Product Specifications

Camera					
Image Sensor	1/2.7" 8 Megapixel progressive CMOS				
Effective Pixels	3840(H) x 2160(V)				
RAM/ROM	256MB/128MB				
Scanning System	Progressive				
Electronic Shutter Speed	Auto/Manual 1/3 s–1/100,000 s				
Minimum Illumination	0.009 Lux at F2.0				
S/N Ratio	More than 56 dB				
IR Distance	30 m (98.43 ft)				
IR LEDs	3				
Camera Features					
Day/Night	Auto(ICR) / Color / B/W				
Backlight Compensation	BLC / HLC / WDR (120dB)				
White Balance	Auto / Natural / Street Lamp / Outdoor / Manual				
Gain Control	Auto/Manual				
Noise Reduction	3D DNR				
Motion Detection	OFF/ON (4 areas, rectangular)				
Region of Interest	Yes (4 areas)				
Smart Illumination	Yes				
Privacy Masking	4 Areas				
Lens					
Lens Type	Fixed Lens				
Mount Type	Board-in				
Focal Length	2.8mm				
Max. Aperture	F2.0				
Viewing Angle	Horizontal: 105.0° Vertical: 56.0° Diagonal: 125.0°				
Pan/Tilt/Rotation	Pan: 0°–355°; Tilt: 0°–65°; D: 0°–355°				
DORI Distance	Lens	Detect	Observe	Recognize	Identify
	2.8mm	74.7 m (245.1 ft)	29.9 m (98.1 ft)	14.9 m (48.9 ft)	7.5 m (24.6 ft)
Video					
Compression	H.265+; H.264+; MJPEG				
Resolution	4K (3840×2160) / 6M (3072×2048) / 5M (2560×1920) / 3M (2048×1536) / 3M (2304×1296) / 1080P (1920×1080) / 1.3M (1280×960) / 720P (1280×720) / D1 (704×576/704×480) / VGA (640×480) / CIF (352×288/352×240)				
Frame Rate	Main Stream: 3840 × 2160 (1 fps–15 fps); 2688 × 1520 (1 fps–25/30 fps)				
	Sub stream: 704 × 576 (1 fps–25 fps); 704 × 480 (1 fps–30 fps)				
Bit Rate	H.264: 32 kbps–8192 kbps H.265: 12 kbps–8192 kbps				

*Design and specifications are subjects to change without notice.



INSD04KIRF

4K ULTRA-HD H265 Fixed Dome Camera

Product Specifications

Intelligent Functions	
Smart Functions	Tripwire, Intrusion
Alarm	
Alarms Event	No SD card; SD card full; SD card error; network disconnection; IP conflict; motion detection; video tampering; tripwire; intrusion; illegal access; voltage detection; safety exception
Network	
Ethernet	RJ-45 (10/100 Base-T)
SDK and API	Yes
Cyber Security	Video encryption; firmware encryption; configuration encryption; Digest; WSSE; account lockout; security logs; IP/MAC filtering; generation and importing of X.509 certification; syslog; HTTPS; 802.1x; trusted boot; trusted execution; trusted upgrade
Storage	FTP; SFTP; Micro SD Card up to 256GB; NAS
Management Software	STORM, STORM+, ARKIV
Protocol	IPv4; IPv6; HTTP; TCP; UDP; ARP; RTP ; RTSP; RTCP; RTMP; SMTP; FTP; SFTP; DHCP; DNS; DDNS; QoS; UPnP; NTP; Multicast; ICMP; IGMP; NFS; PPPoE; Bonjour
Compatibility	CGI; P2P; Milestone; Genetec
Maximum User Access	20
Smart Phone	iOS, Android
General	
Power Supply	12V DC/PoE (802.3af)
Power Consumption	Less than 6.2W
Working Environment	-40°C to +60°C (-40°F to +140°F); Less than 95% RH
Protection	IP67, IK10
Dimensions	81 mm × Ø109.9 mm (3.19" × Ø4.33")
Weight	1.08 lbs (0.491kg)

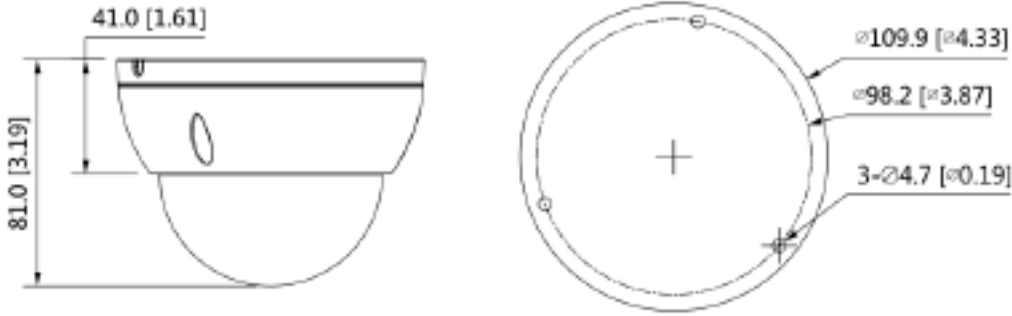
*Design and specifications are subjects to change without notice.



INSD04KIRF

4K ULTRA-HD H265 Fixed Dome Camera

Product Specifications



**INSX136
Junction Box**



**INSX200W
Rain Cover**







**INSX203
Wall Mount**

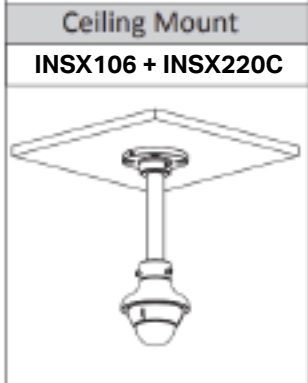


**INSX152
Pole Mount**



**VUSD256G
Micro SD Card**

Junction Mount	Wall Mount	Wall Mount	Pole Mount
INSX136	INSX200W + INSX136	INSX203	INSX203 + INSX152
			



**Ceiling Mount
INSX106 + INSX220C**



**INSX106
Mount Adapter**



**INSX220C
Ceiling Mount**

*Design and specifications are subjects to change without notice.

